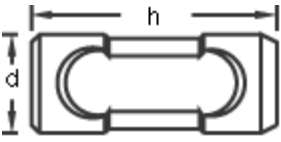
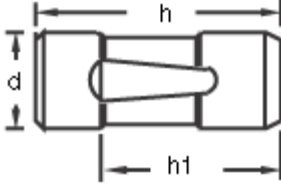
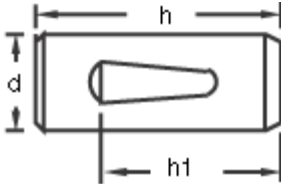
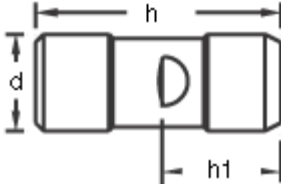
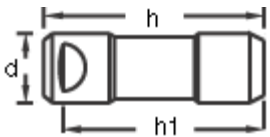
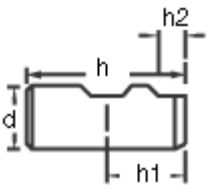
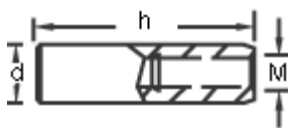


Driver Design	Ref	d	h	h1	
<p>HAMMOND STANDARD</p> 	CA	16	40		
	CB	25	50		
	CC	35	60		
<p>AMERICAN STANDARD</p>  	AA	1/2"	38	26	
	DM	3/4"	70	46	
	AC	1.00"	70	55	
	AD	1.25"	70	55	
	AE	1.50"	70	55	
<p>EUROPEAN STANDARD</p> 	AF	10	40	24	
	AK	16	45	31	
	AG	20	70	34	
	AH	25	70	34	
	AJ	32	70	34	

Driver Design	Ref	d	h	h1	
	AN	16	50	47	
WELDON 	BF	16	48	24	
	h2	BG	20	50	25
	17	BH	25	56	32
	19	BJ	32	60	36
	19	BK	40	70	40
	DG	10	60	M6X0.5	
	DH	16	80	M10X1.0	
	DK	25	100	M16X1.5	
	DL	36	120	M25X1.5	